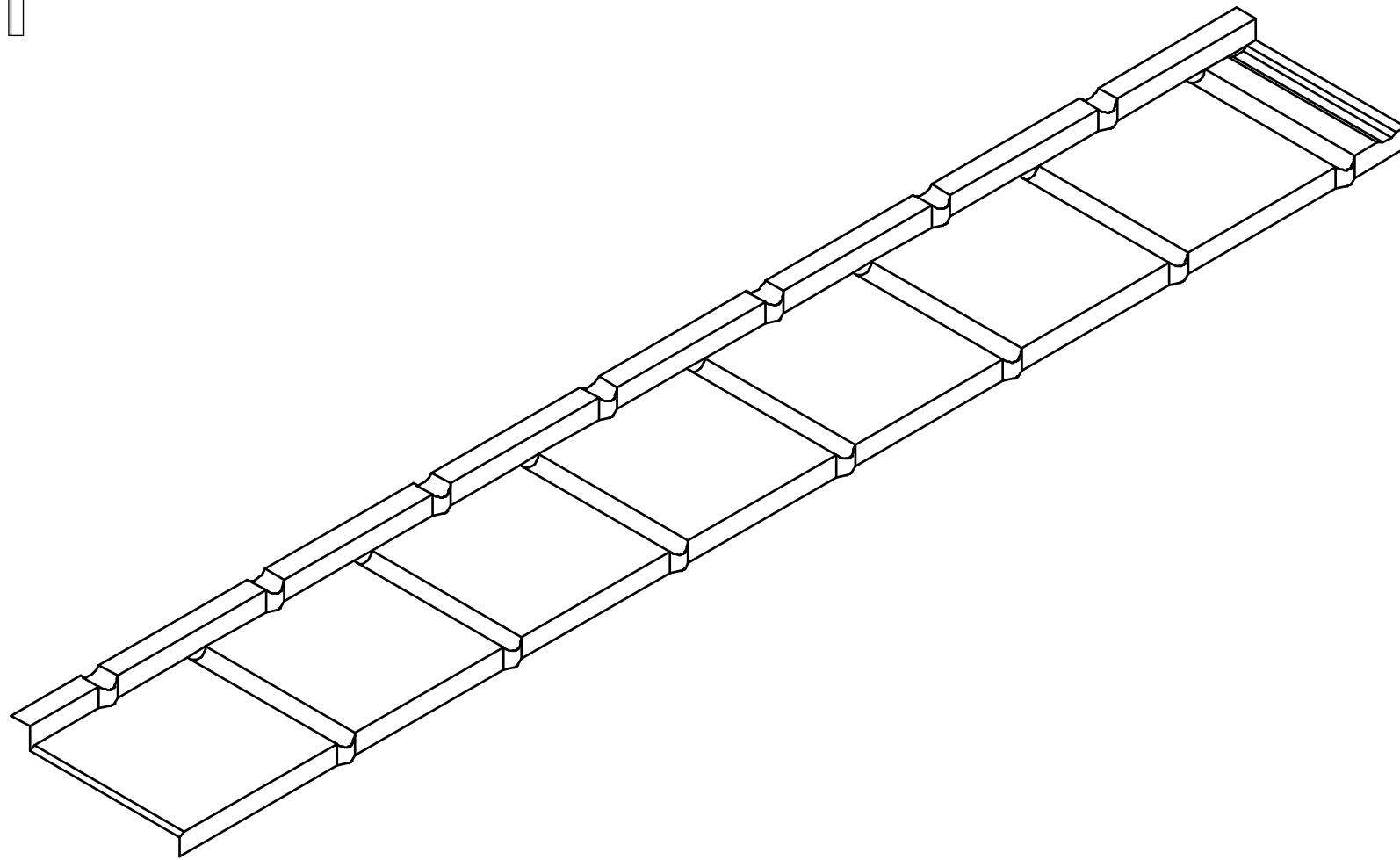
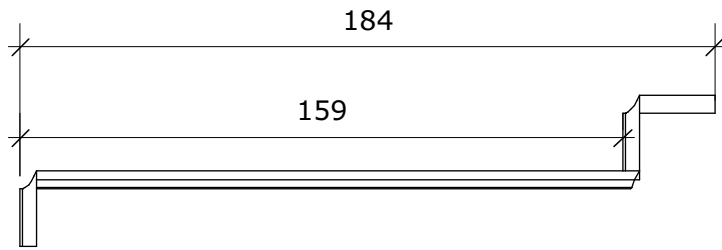
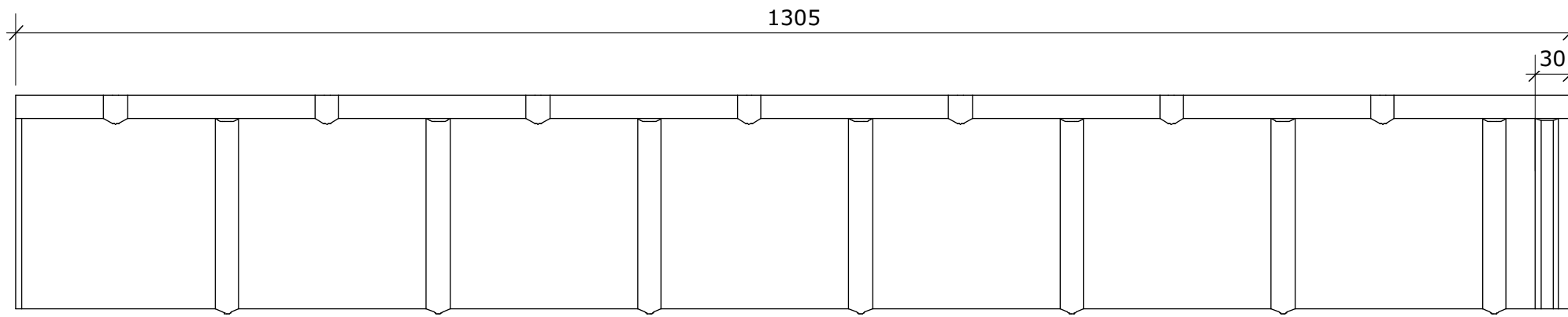


© BRITMET LIGHTWEIGHT ROOFING LTD. All rights reserved.  
 This drawing is the property of BRITMET LIGHTWEIGHT ROOFING LTD and Copyright is reserved to them.  
 This drawing is issued on the condition that it is not reproduced without the written consent of BRITMET LIGHTWEIGHT ROOFING LTD. Action will be taken against unauthorised use.  
 Do not scale off this drawing. All dimensions are in Millimetres U.K.D and to be verified and confirmed on site prior to work commencing.  
 All levels shown are in metres U.K.D. This drawing is to be read in conjunction with all relevant Architects and Engineers Drawings and Specifications. Engineers generally referred, e.g. Structural, Mechanical & Electrical.  
 Contractors shall provide their own setting out drawings for comment by BRITMET LIGHTWEIGHT ROOFING LTD.  
 All structural works are to be detailed or confirmed and approved by Structural Engineer, including all setting out requirements U.K.D.  
 Any discrepancies, errors or omissions to be reported to the BRITMET LIGHTWEIGHT ROOFING LTD for further instructions before commencement of work.



**GENERAL NOTES**

NO.	DATE	DESCRIPTION

**REVISION HISTORY**

ZONE	REV	DESCRIPTION	DATE
BLR	1	Add revision note here	??/??/19

Client  
 ADD HERE



Consultant Details  
 Britmet Tileform LTD  
 Kingfisher House, Unit 17  
 Overthorpe Road, Banbury, OX16 4SX  
 TEL: (01295) 250 998  
 WEB: www.britmet.co.uk

Project Title  
 ADD HERE

Drawing Title  
 Britmet Plaintile  
 Tile

Drawing Status Illustrative	Drawing Number BLR-CAD-PLAINTILE-0005
Drawn By AC	Revision P01
Checked By -	Consultant Project Number BLR
Date of First Issue 2019	Scale NTS
CAD File Name	Sheet No. 1 of 1